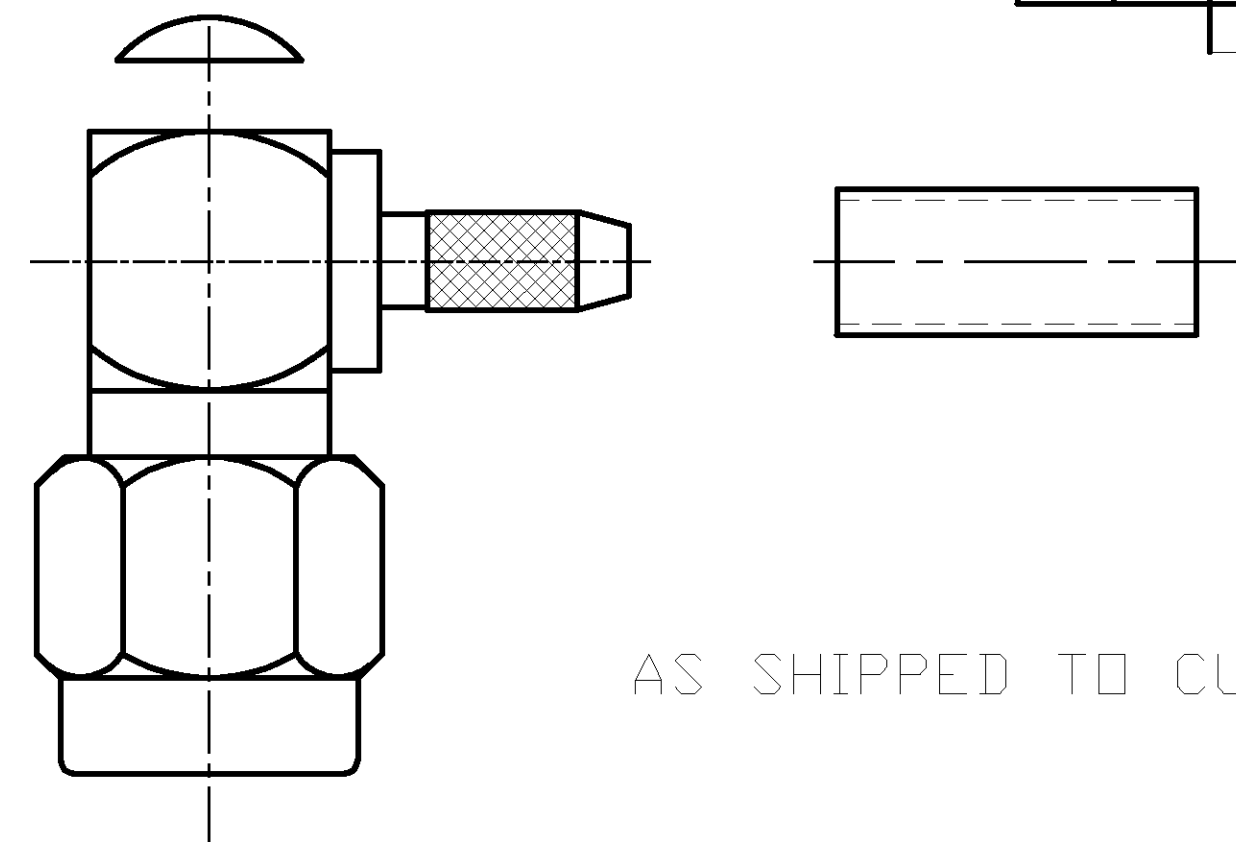


THIS DRAWING IS UNPUBLISHED. RELEASED FOR PUBLICATION N/A, N/A  
 © COPYRIGHT N/A BY TYCO ELECTRONICS CORPORATION. ALL RIGHTS RESERVED.

LOC		DIST		REVISIONS			
P	LTR	DESCRIPTION	DATE	DWN	APVD		
DF	X0						
	O	RELEASED	9-02	JMK	JL		

COMPONENT	MATERIAL	FINISH
HOUSING CAP COUPLING NUT	STAINLESS STEEL PER ASTM-A-484 OR ASTM-A-582 TYPE 303	PASSIVATED PER ASTM-A-380
DIELECTRIC	PTFE FLUORCARBON PER ASTM-D-1457	-
CENTER CONTACT	BRASS PER ASTM-B-16 HALF HARD	GOLD PLATED PER ASTM-B-488
GASKET	SILICONE RUBBER PER ZZ-R-765	-
FERRULE	COPPER OR BRASS ALLOY, ROCKWELL F65 MAX	GOLD PLATED PER ASTM-B-488
RETAINING RING	BERYLLIUM COPPER PER ASTM-B-194 ALLOY C17200, CONDITION H	-



ENVIRONMENTAL

TEMPERATURE RATING: -65°C TO +165°C

VIBRATION: MIL-STD-202, METHOD 204, CONDITION D

SHOCK: MIL-STD-202, METHOD 213, CONDITION 1

MOISTURE RESISTANCE: MIL-STD-202, METHOD 106

CORROSION: MIL-STD-202, METHOD 101, CONDITION B. 5% SALT SPRAY

THERMAL SHOCK: MIL-STD-202, METHOD 107, CONDITION B EXCEPT HIGH TEMP 85°C

MECHANICAL

INTERFACE DIMENSIONS: MIL-STD-348A FIG. 310.1

RECOMMENDED MATING TORQUE: 7-10 IN-LBS

FORCE TO ENGAGE & DISENGAGE (IN-LBS MAX): 2.0

WEIGHT (GRAMS): TBD

MATING CHARACTERISTICS: INSERTION (MAX LBS) N/A  
WITHDRAWAL (MIN OZ): N/A

CABLE RETENTION: AXIAL FORCE (LBS) 20 MIN  
TORQUE (IN-OZ): N/A

CENTER CONTACT CAPTIVATION: AXIAL (LBS): 6.0  
RADIAL (IN-OZ): N/A

ELECTRICAL

NORMAL IMPEDANCE (OHMS): 50

FREQUENCY RANGE (GHz): DC TO 12.4

VOLT RATING @ SEA LEVEL (VRMS MAX): 250

VSWR: 1.15+0.03f(GHz)

INSERTION LOSS: (dB MAX): .06  $\sqrt{f(\text{GHz})}$

RF LEAKAGE (dB MIN): -60 @ 2-3 GHz

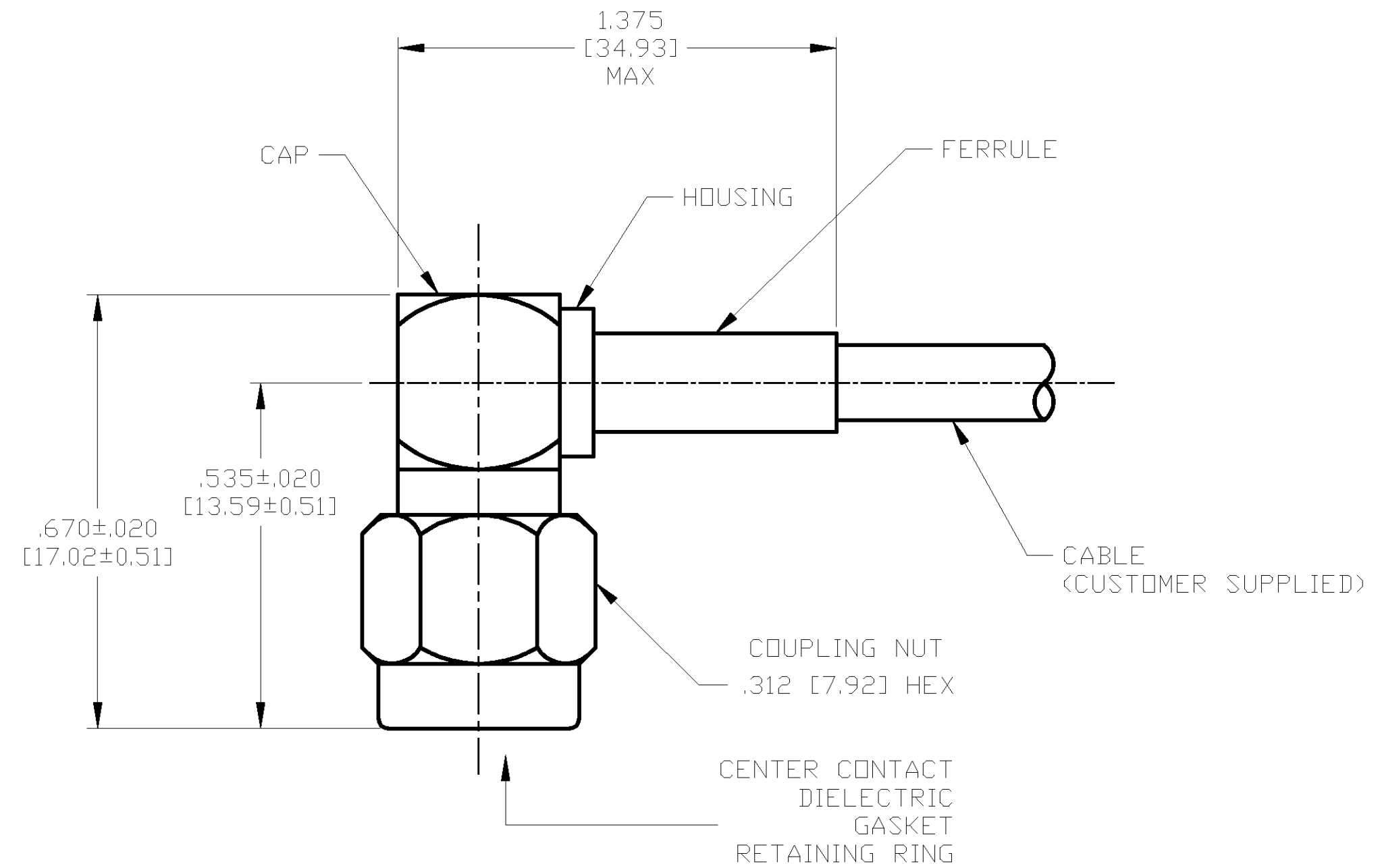
CORONA 70,000 FT (VRMS MIN): 190

DIELECTRIC WITHSTANDING VOLTAGE (VRMS MIN) AT SEA LEVEL: 750

I.R. (MEGOHMS MIN): 5,000

RF HIGH POTENTIAL AT SEA LEVEL (VRMS MIN @ 5 MHz): 500

CONTACT RESISTANCE (MILLIOHMS MAX):  
 CENTER CONTACT: 4.0  
 OUTER CONTACT: 2.0  
 CABLE TO HOUSING: 0.5



ASSEMBLED VIEW

DESIGNED TO USE  
RG-174/U OR EQUIVALENT  
CABLE ENTRY  
DIAMETER MIN

HOUSING: .063 [1.60]

CONTACT SLOT: .041 [1.04]

FERRULE: .125 [3.18]

THIS DRAWING IS A CONTROLLED DOCUMENT.

DIMENSIONS: INCHES [mm]

TOLERANCES UNLESS OTHERWISE SPECIFIED:

0 PLC	±	-
1 PLC	±	-
2 PLC	±	-
3 PLC	±	.005 [0.13]
4 PLC	±	-
ANGLES		±

MATERIAL: SEE TABLE

FINISH: SEE TABLE

DWN	J. KAISER	9/24/02	 Tyco Electronics Corporation Harrisburg, PA 17105
CHK	J. LIPPERT	10-18-02	
APVD	J. LIPPERT	10-18-02	
PRODUCT SPEC			
APPLICATION SPEC	408-4846		NAME: SMA RIGHT ANGLE CABLE PLUG-CRIMP ATTACHMENT (M39012/56-3126) CAT C
WEIGHT	TBD		SIZE: A2
CUSTOMER DRAWING			CAGE CODE: 00779
			DRAWING NO: 1052203
			RESTRICTED TO: -
			SCALE: 5:1
			SHEET: 1 OF 1
			REV: 0

1052203-1  
PART NO.